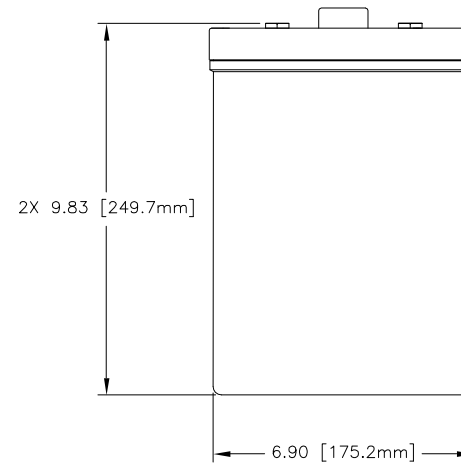
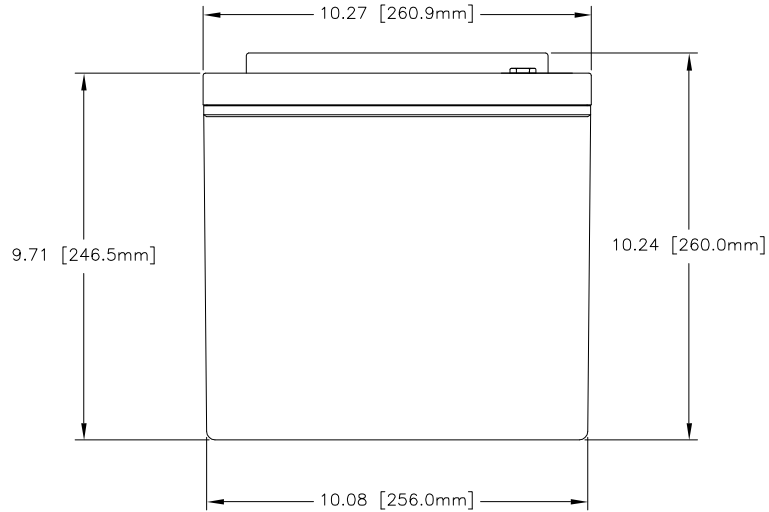
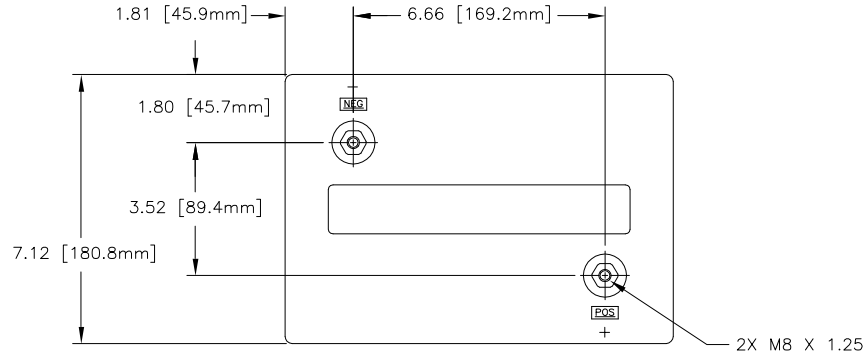


NOTES: UNLESS OTHERWISE SPECIFIED

1. SEE DRAWING NO. CB-00306 AND PROCEDURE P-1000 FOR ASSEMBLY AND TEST INSTRUCTION. PROCEDURES AND ASSEMBLY DRAWINGS ARE FOR INTERNAL USE ONLY.
2. ALL TESTING ARE IAW BATTERY COUNCIL INTERNATIONAL STANDARDS.
3. ALL DIMENSIONS ARE IN INCHES [MM].
4. ABBREVIATION USED IN TITLE IS: SEALED LEAD ACID (SLA).

REVISIONS			
REV	DESCRIPTION	DATE	APPROVED



CAPACITY RATINGS	
PART NUMBER	PVX-2240T
NOMINAL WEIGHT	67 LBS [30.4 KG]
AMPERE HOUR CAPACITY @ 24 HOUR 1.75 VOLTS/CELL @ 77°F (25° C)	224 AH

ENVELOPE DRAWING

QTY	REQD	CAGE CODE	PART OR IDENTIFYING NO.	NOMENCLATURE OR DESCRIPTION	MATERIAL SPECIFICATION	ITEM NO.
PARTS LIST						
UNLESS OTHERWISE SPECIFIED DIMENSIONS ARE IN INCHES. TOLERANCES ARE: FRACTIONS    DECIMALS    ANGLES ± 1/32    .XX ± .06    ± 1° .XXX ± .030				CONTRACT NO. NA		CONCORDE BATTERY CORPORATION 2009 SAN BERNARDINO RD, W. COVINA, CA 91790
APPROVALS				DATE		TITLE
DRAWN    AMIII				9/23/02		BATTERY, SLA, 6 VOLT, PVX-2240T
CHECKED    HRF				9/23/02		SIZE
FINISH    NONE				10/1/02		CAGE CODE
APPROVED    JBT				10/15/02		DWG NO.
ISSUED    AT				10/15/02		REV
SIMILAR TO		ACT WT	CALC WT	SCALE		SHEET
NA		NA	NA	NONE		1 OF 1