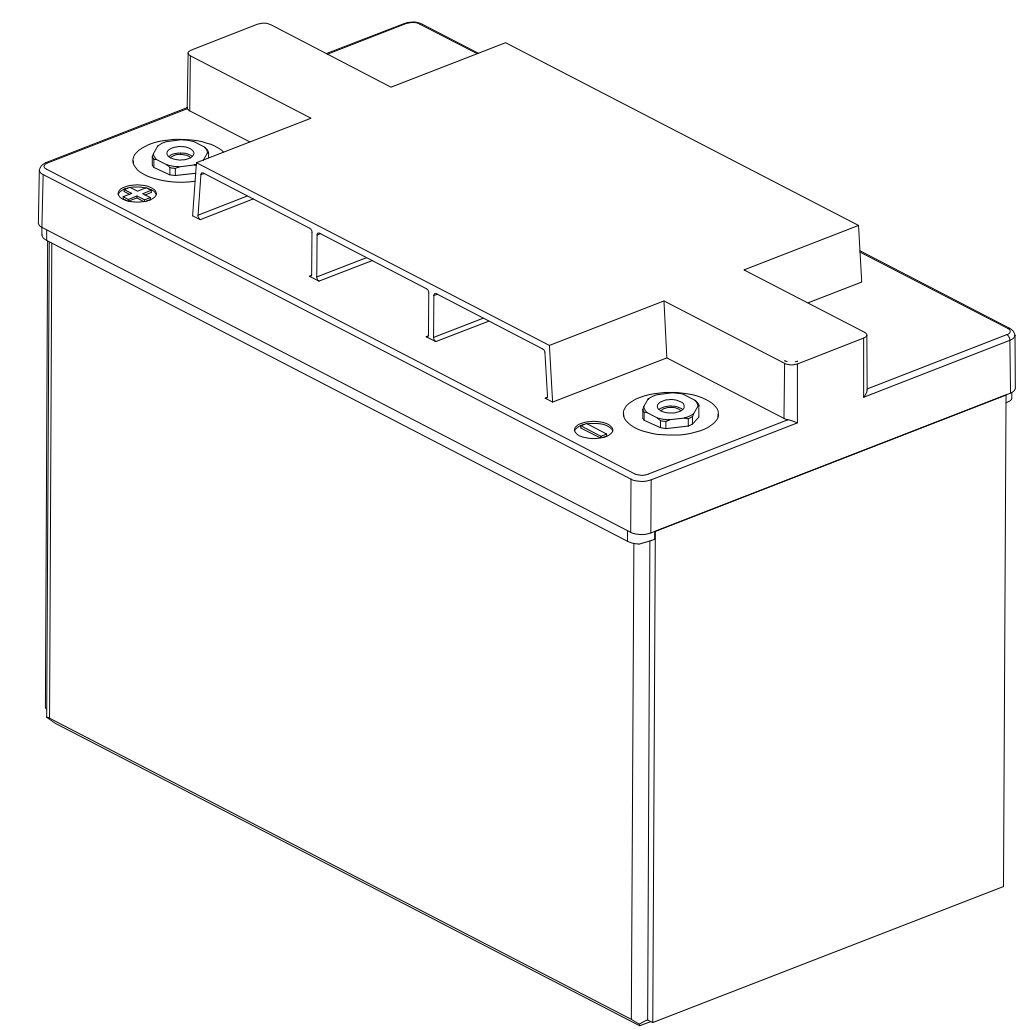


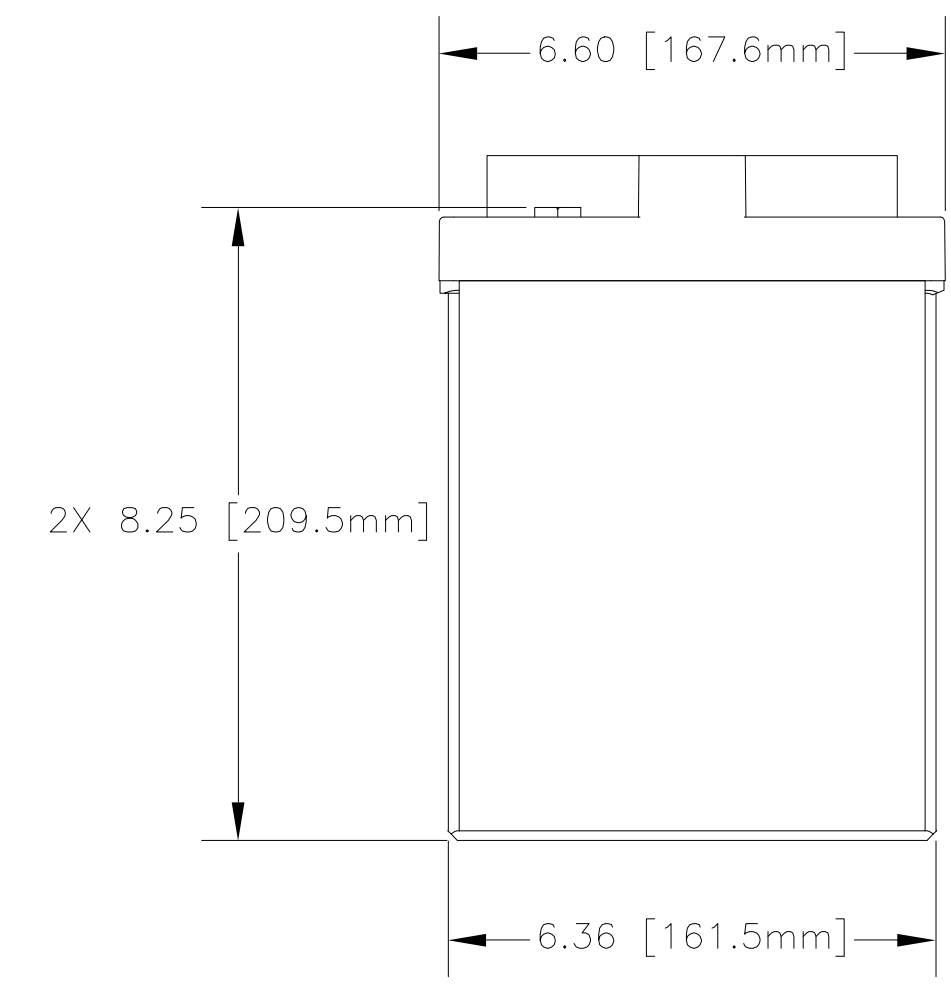
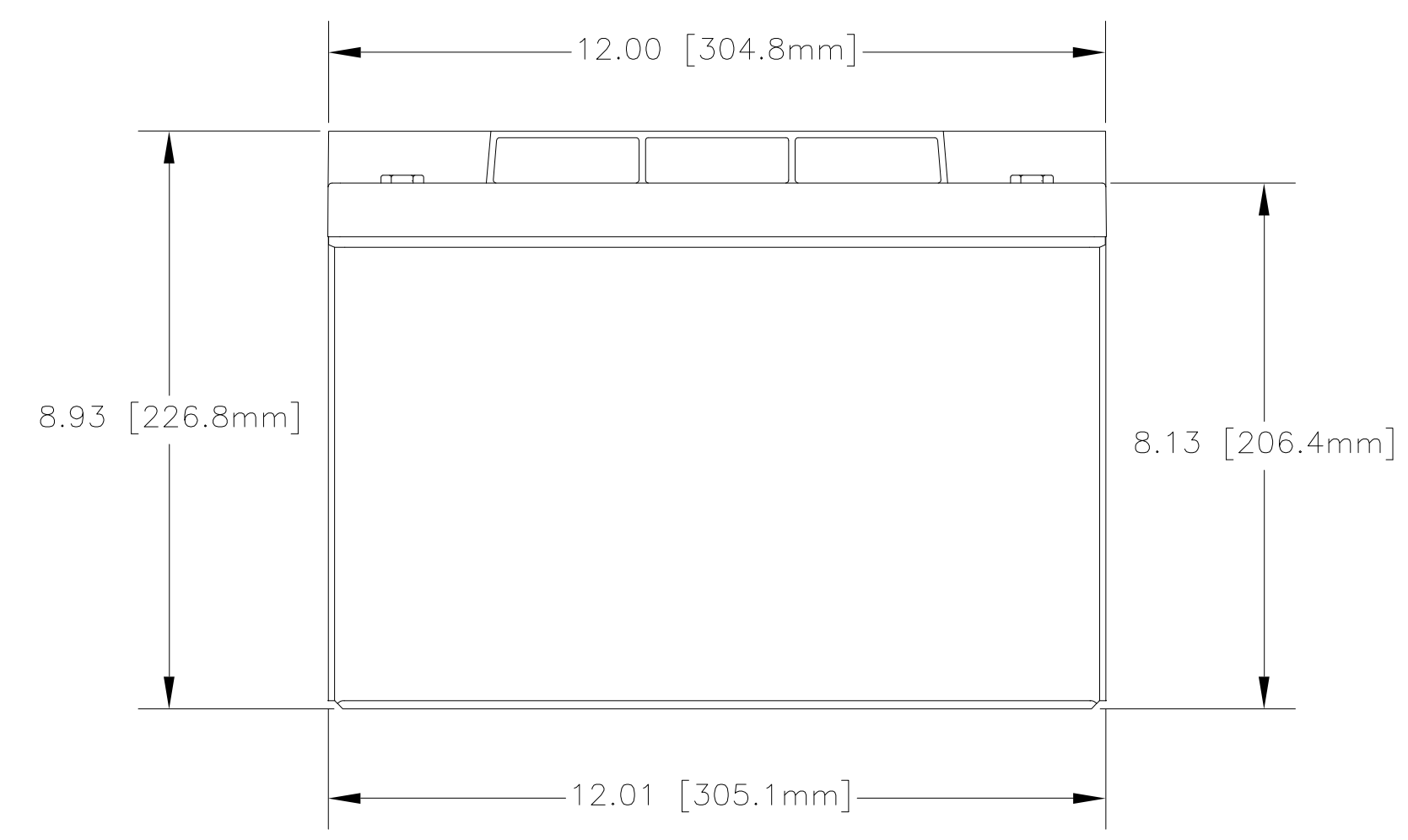
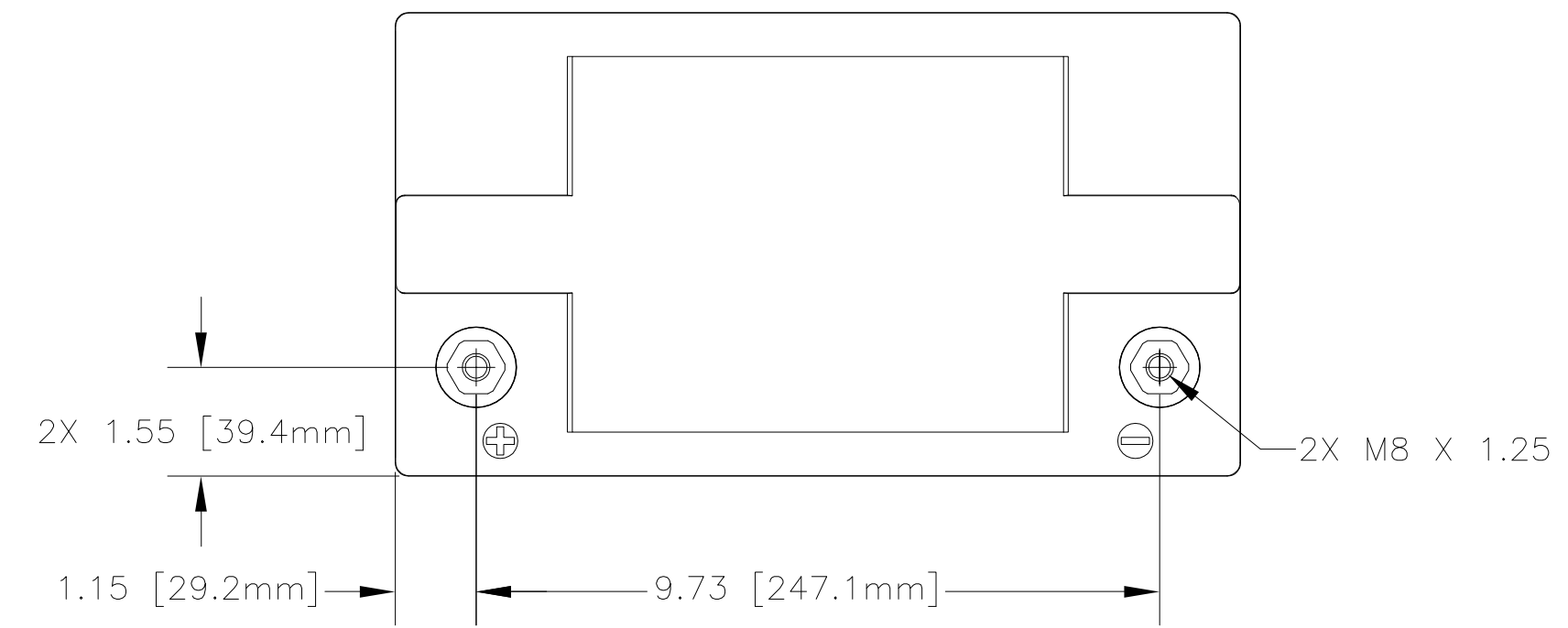
NOTES: UNLESS OTHERWISE SPECIFIED

1. SEE DRAWING NO. CB-00285 AND PROCEDURE P-1000 FOR ASSEMBLY AND TEST INSTRUCTION. PROCEDURES AND ASSEMBLY DRAWINGS ARE FOR INTERNAL USE ONLY.
2. ALL TESTING ARE IAW BATTERY COUNCIL INTERNATIONAL STANDARDS.
3. ALL DIMENSIONS ARE IN INCHES [MM].
4. ABBREVIATION USED IN TITLE IS: SEALED LEAD ACID (SLA).

REVISIONS			
REV	DESCRIPTION	DATE	APPROVED
A	REMOVED SIDE HOLD-DOWNS	6/10/03	JBT



REFERENCE VIEW



CAPACITY RATINGS	
PART NUMBER	PVX-1040T
NOMINAL WEIGHT	66 LBS [30 KG]
AMPERE HOUR CAPACITY @ 24 HOUR 1.75 VOLTS/CELL @ 77°F (25°C)	104 AH

ENVELOPE DRAWING

QTY REQD	CAGE CODE	PART OR IDENTIFYING NO.	NOMENCLATURE OR DESCRIPTION	MATERIAL SPECIFICATION	ITEM NO.
PARTS LIST					
UNLESS OTHERWISE SPECIFIED DIMENSIONS ARE IN INCHES TOLERANCES ARE:			CONTRACT NO. NA		
FRACTIONS DECIMALS ANGLES ± 1/32 .XX ± .06 ± 1° .XXX ± .030			CONCORDE BATTERY CORPORATION 2009 SAN BERNARDINO RD, W. COVINA, CA 91790		
TREATMENT NONE			TITLE BATTERY, SLA, 12 VOLT, PVX-1040T		
FINISH NONE			APPROVALS DATE DRAWN ELH 8/13/01		
SIMILAR TO NA			CHECKED HRF 8/21/01		
ACT WT NA			APPROVED JBT 8/23/01		
CALC WT NA			ISSUED AT 6/13/03		
			SIZE C CAGE CODE 63017 DWG NO. PVX-1040T REV A		
			SCALE NONE SHEET 1 OF 1		

ENGINEERING COPY 13JUN03